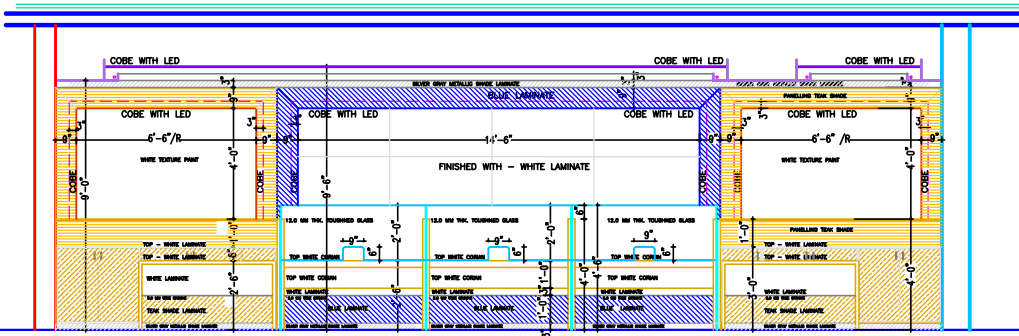
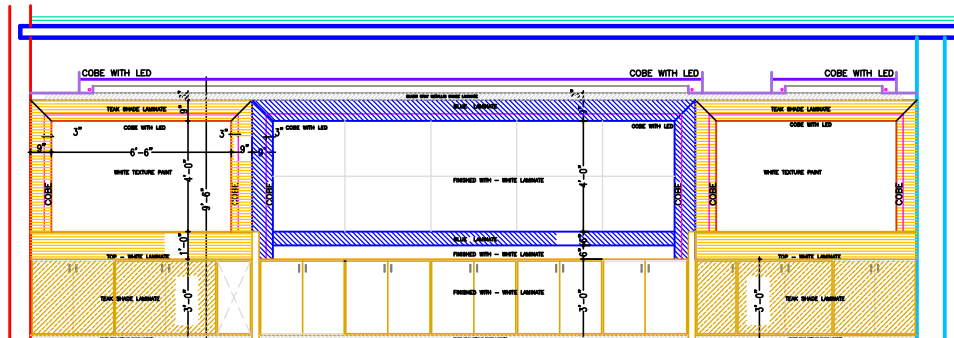


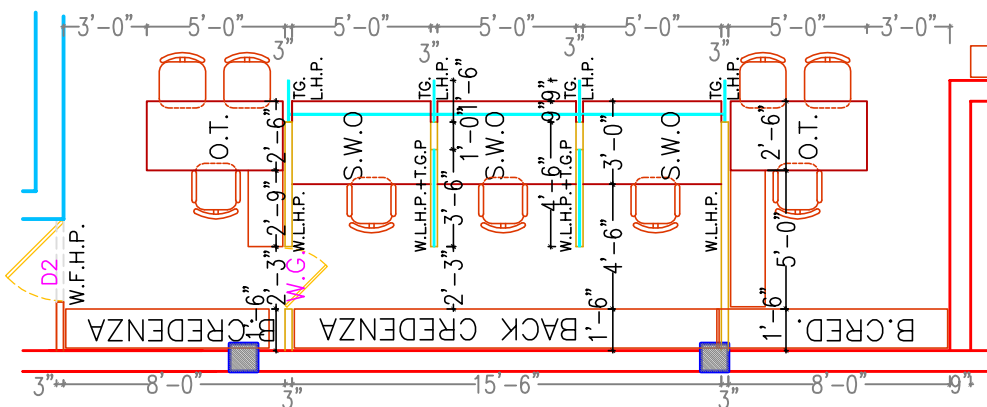
KEY PLAN



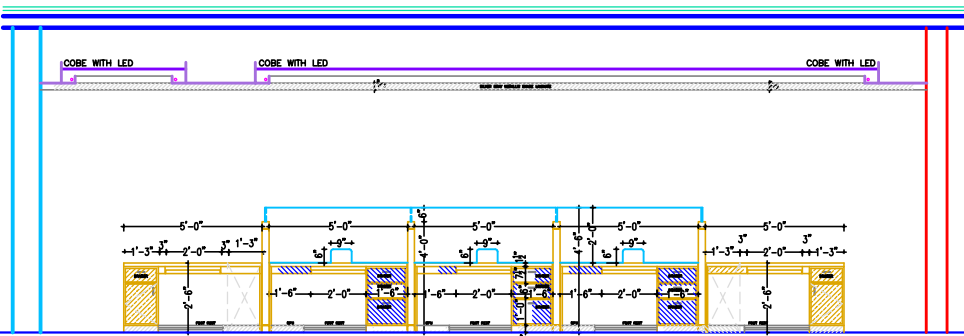
SECTION A - A



SECTION C - C



KEY PLAN



SECTION B - B

NOTE -

1. BACK PANNELLING OF S.W.O COUNTERS—WHITE LAMINATE.
2. POSITION OF SIDE CREDENZA AS PER LAYOUT PLAN

REV.	DESCRIPTION	DATE
TITLE :	WALL ELEVATIONS & DETAIL OF COUNTERS. - 1	
SCALE	1"=8'-0"	
DATE	26/06/2024	
JOB NO.	SBI-BGR/01	
DRG. NO.	WD-08	
CREATIVE CONCEPTS		
ARCHITECTS, PLANNERS, INT. DESIGNERS		
RESI.C.O. - 1350, SECTOR - 25		
PANCHKULA- 134116.		
PH. 09815788192 (M)		