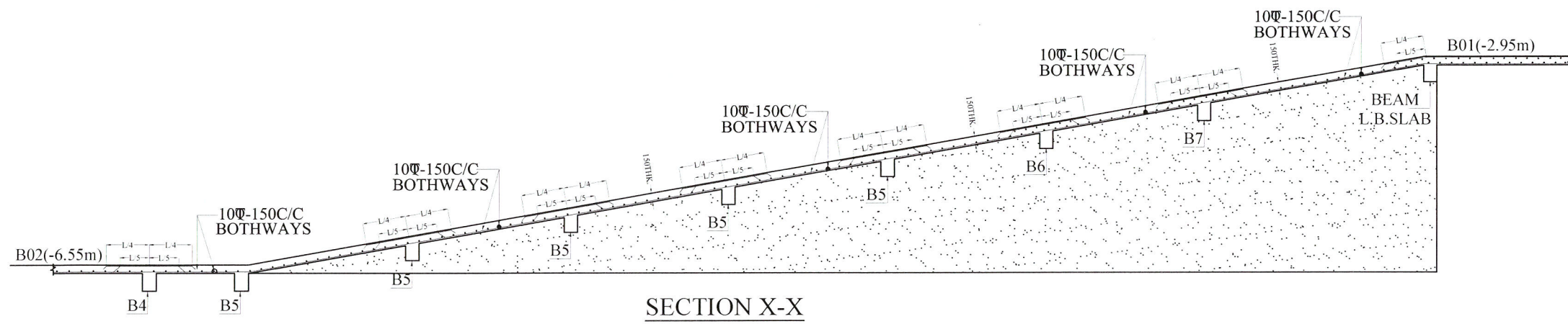
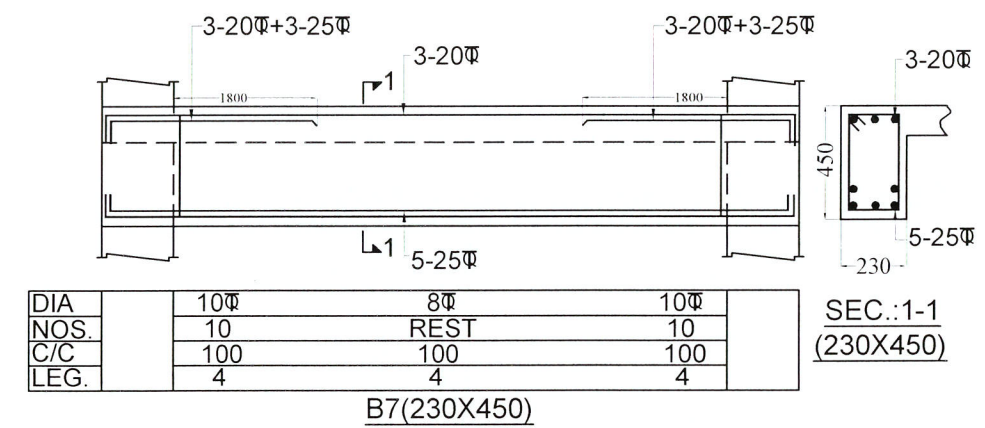
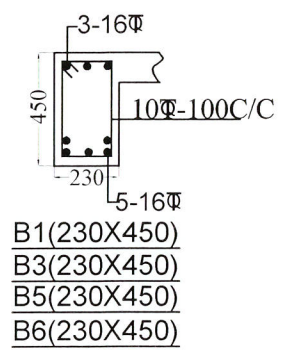
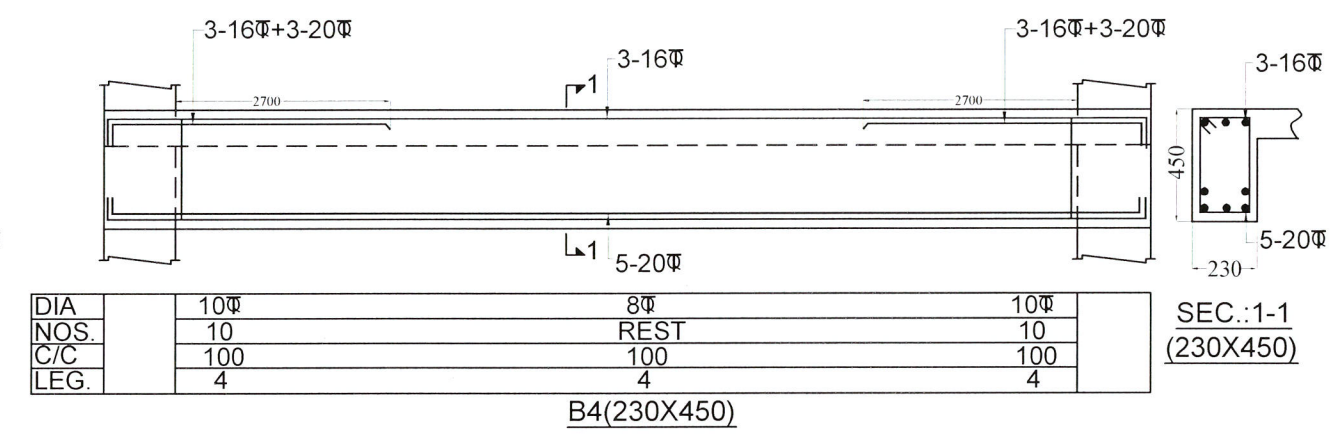
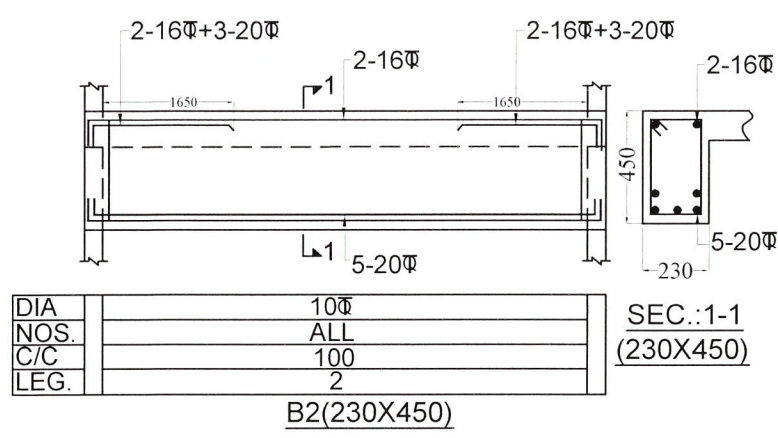


SECTION X-X



SECTION X-X



For ZARNA ASSOCIATES
Structural Consultants
Dr. V. R. PATEL
Ph.D. (Str. Engg.) M.E. (Str.) B.E.(Civil)

- NOTES:-
- DO NOT EXCAVATE RAMP WITHOUT CONSULTING STRUCTURE ENGINEER.
 - DO NOT EXCAVATE RAMP UNTILL BASEMENT SLAB IS CASTED.
 - EXCAVATION OF RAMP SHOULD BE DONE AS PER SLOPE OF RAMP.
 - DO NOT EXCAVATE ENTIRE RAMP UPTO FULL DEPTH.
 - THIS STRUCTURE DRAWING IS BASED ON ARCH.DRG SENT BY MAIL ON DATE :- 03-10-2022



CONCRETE GRADE	
ITEM	GRADE
COLUMN	AS PER SCHEDULE
SLAB	M35
BEAM	M35
RETAINING WALL	AS PER SCHEDULE
USE STEEL GRADE Fe 500-D	

PROJECT NAME:-
SBI CORPORATE OFFICE

ARCHITECT:
MAMTA SHAH

STRUCTURAL CONSULTANT :
ZARNA ASSOCIATES
STRUCTURAL CONSULTING ENGINEER
14, Ratnam Apartment - Opp.Neptune Tower,
Near Premier Chamber, Productivity Road, Alkapuri, Vadodara.
Tele. ph. /mo. no. :- 0265 - 2341278
+91 92276-2739/40
E - Mail :- zamasso@yahoo.com

APPROVED BY:	VRP
CHECKED BY:	RISHVA
DRAWN BY:	VIJAY
CORRECTED BY:	VIJAY
DATE:	18-12-2023
PROJECT NO. :	401/17

DRAWING TITLE: DETAIL OF SECTION X-X & BEAM DETAIL		
DRG NO : 21		
SCALE: N.T.S.	SHEET: A3	N

DETAIL OF SECTION X-X & BEAM DETAIL

Z:\COMMON\2019\MAMTA SHAH\SBI CORPORATE OFFICE\STR DRG